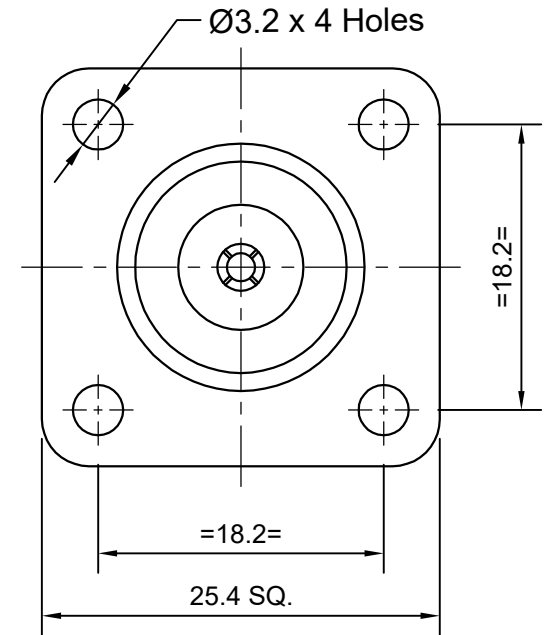
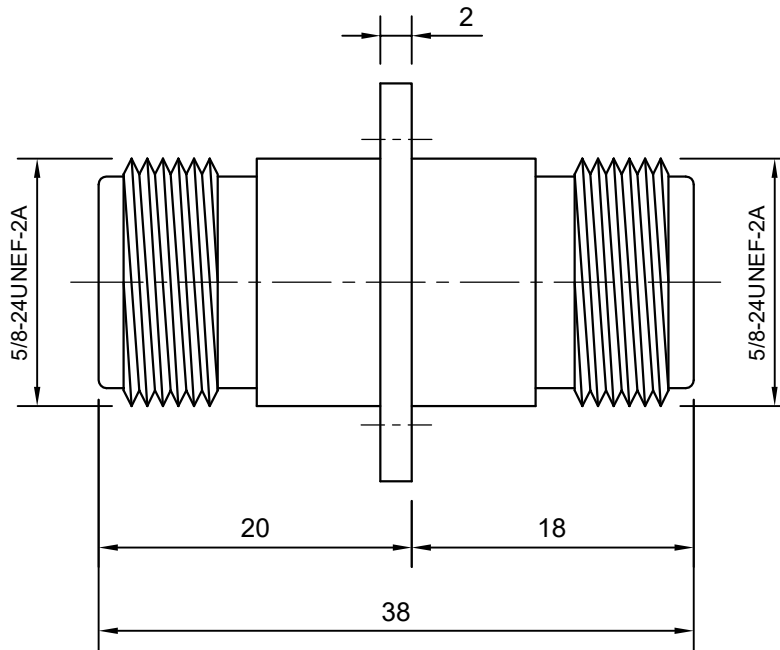


RevNo	Revision note	Date	Signature	Checked



### TECHNICAL DATA

Type	Adapter
Orientation	Straight
Impedance (Ohms)	50
Adapter Side 1	N
Side 1 Gender	Jack
Adapter Side 2	N
Side 2 Gender	Jack
Body Finish	White Bronze
Body Material	Brass
Contact Finish	Gold
Contact Material	Phosphor Bronze
Insulator Material	PTFE
Max. Frequency (GHz)	11
Mounting Feature	4 Hole Flange
Min. Temp. (Celsius)	-65
Max. Temp. (Celsius)	165
Weight (Grams)	48.0

FILE PATH: D:\VINSUR\DRAWINGS -- VINSUR\ADAPTERS\N - N

FILE NAME: ADAPTER - N Female to N Female 4 Hole Panel Mount - VSW-AD-872271-S.dwg

SIZE

DRAWN	VINAY 15.10.2018
CHECK	
APPR.	VINAY 15.10.2018
ISSUED	
REV	R0

SHEET	1 of 1	SCALE	NTS
<b>RF ADAPTER</b>			
<b>N Female to N Female</b>			
4 - HOLE PANEL MOUNT TYPE			
DWG NO	VSW-AD-872271-S		